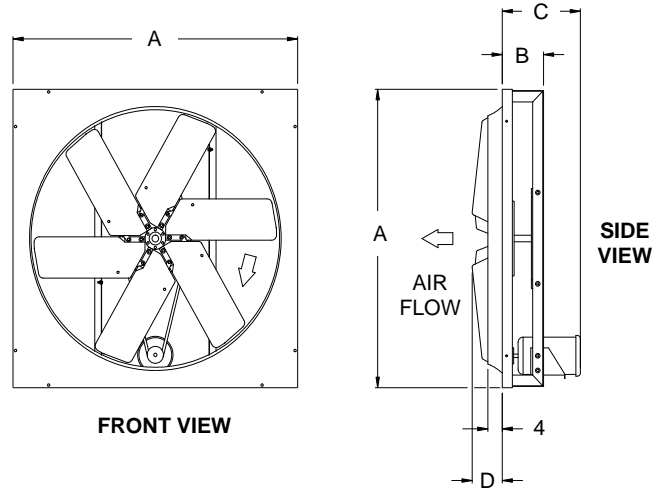


Drawings and Dimensions

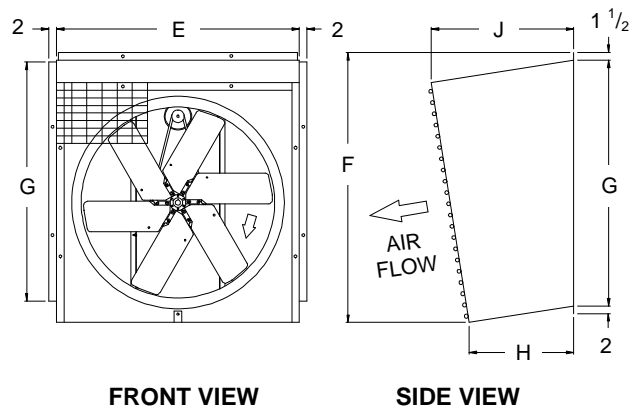
NBF & AL Fans

Fan Model	A	B	C	D
NBF/AL24	32	5 1/8	12 1/2	5
NBF/AL30	38	5 1/8	12 1/2	5 1/8
NBF/AL36	44	5 1/8	13 1/4	5 1/4
NBF/AL42	50	5 1/8	13 1/4	5 7/8
NBF/AL48	56	5 1/8	13 1/4	6 1/4
NBFA/AL54	62	5 1/8	13 1/4	6 1/2
NBF60	68	6 1/8	18	6



GSWH & SWHA Slope Wall Housing

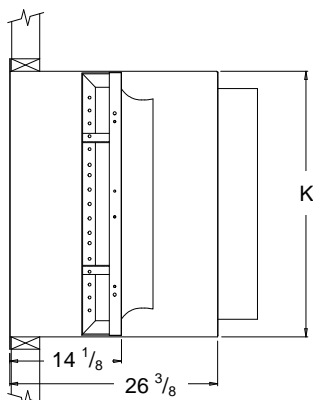
Size	E	F	G	H	J
24	32 3/8	37 11/16	32 11/16	23 7/8	29 1/16
30	38 3/8	44 1/2	38 3/4	23	29 1/16
36	44 3/8	50 5/16	44 13/16	22 1/2	29 9/16
42	50 3/8	56 5/16	50 15/16	21 3/4	29 11/16
48	56 3/8	62 3/8	57	21 5/8	30 1/2
54	62 3/8	68 11/16	63 1/16	22 3/4	32 9/16
60	68 1/4	74 1/4	69 1/8	22 1/4	33



Rough Opening for GSWH & SWHA Housings:

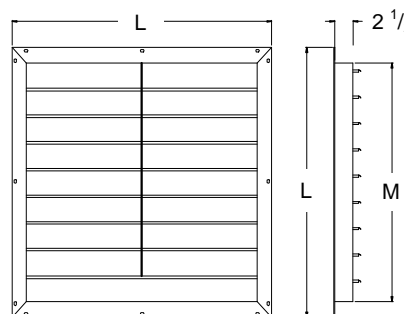
Add 1/2" to 'E' for Width For 4" Wall: Add 1 1/4" to 'G' for Height
 For 2" Wall: Add 3/4" to 'G' for Height For 6" Wall: Add 1 1/2" to 'G' for Height

GWH & WHA Square Wall Housing



Size	K
24	32 3/8
30	38 3/8
36	44 3/8
42	50 3/8
48	56 3/8
54	62 3/8

For rough opening, add 1/2" to 'K'



LRW Shutter

Shutter Model	L O.D.	M I.D.
LRW27	30 1/4	27
LRW33	36 1/4	33
LRW39	42 1/4	39
LRW45	48 1/4	45
LRW51	54 1/4	51
LRW57	60 1/4	57
LRW66	69 1/4	66

For rough opening, add 1/2" to 'M'